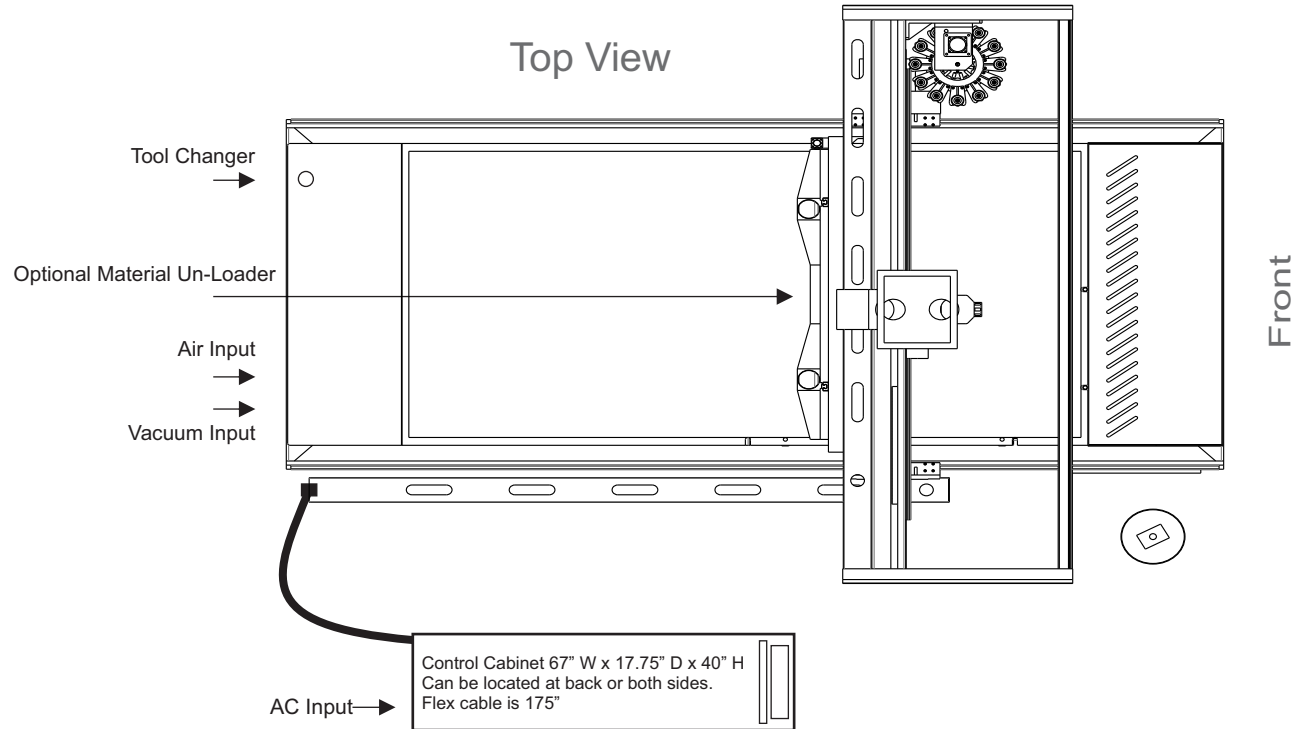
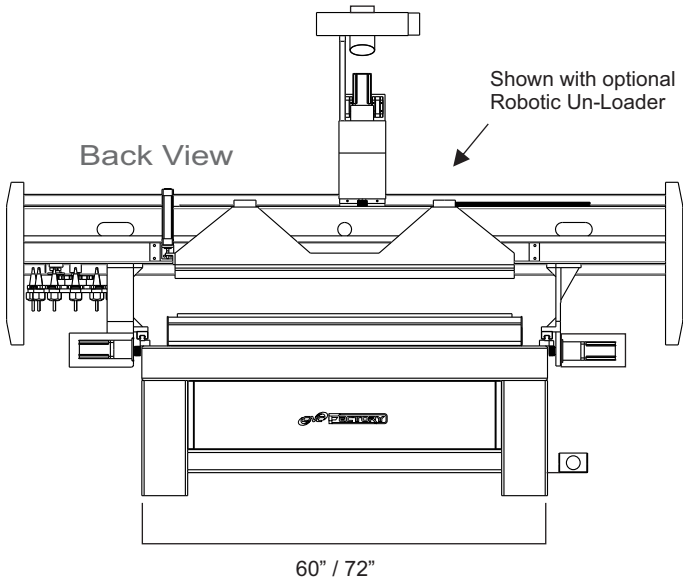
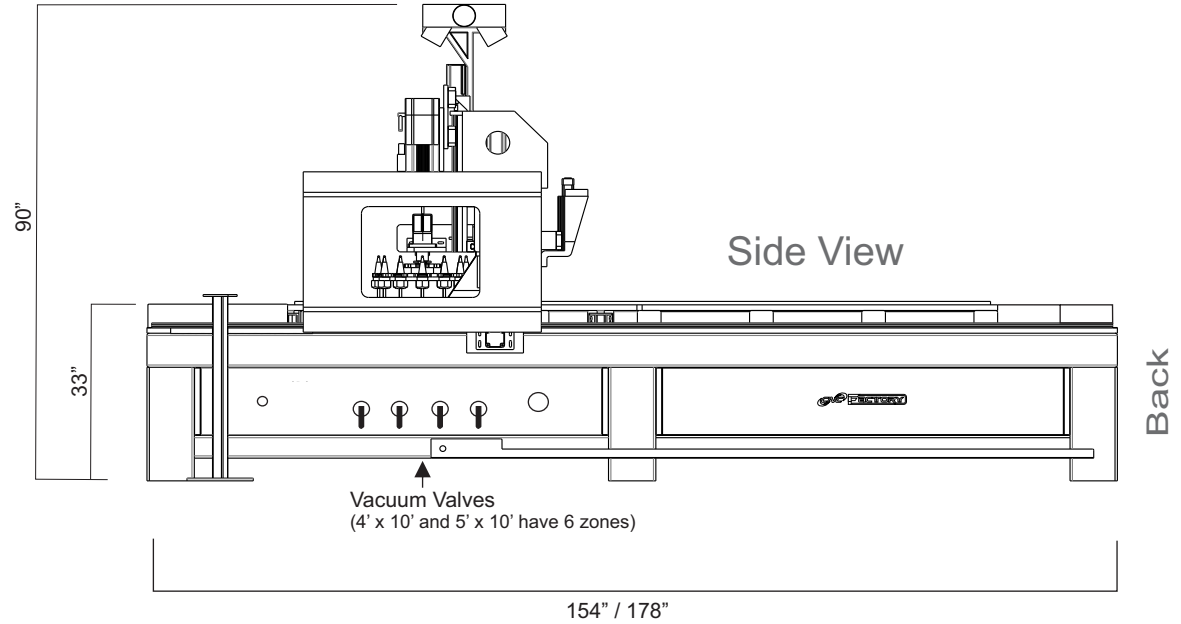
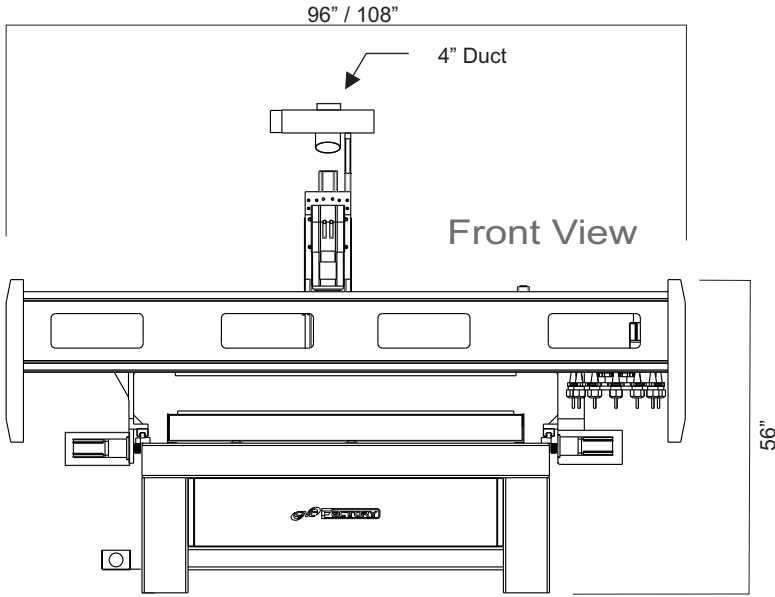


SIDEWINDER XPR

4' x 8' and 5' x 10' layout with safety hood installed.
 (safety hood adds 18" to overall width and can be removed)



Electrical

208/220/240 Volt 3-Phase 60Hertz

Viper XPR 35 max amps. Add for additional amperage if connecting a vacuum pump and or dust collection through control cabinet.